

1

2

3

4

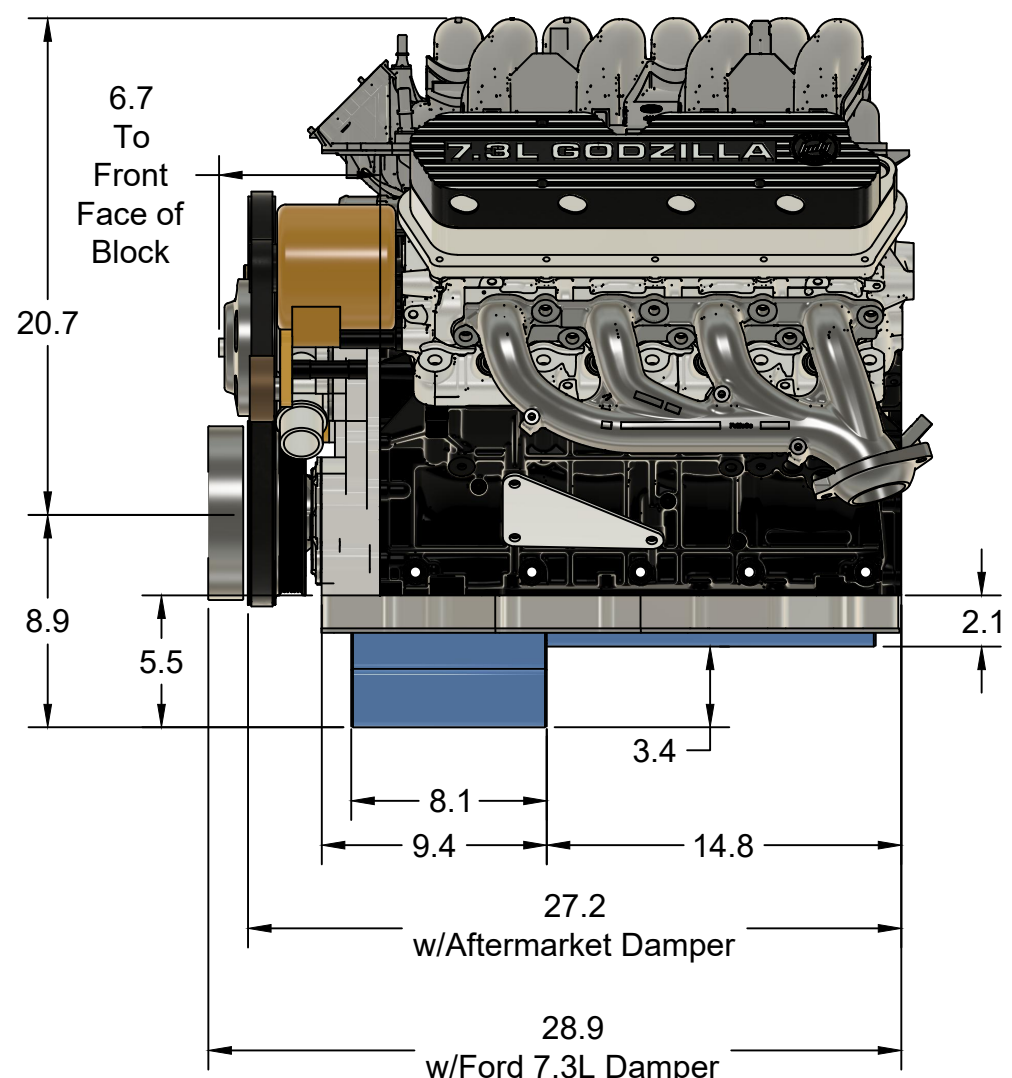
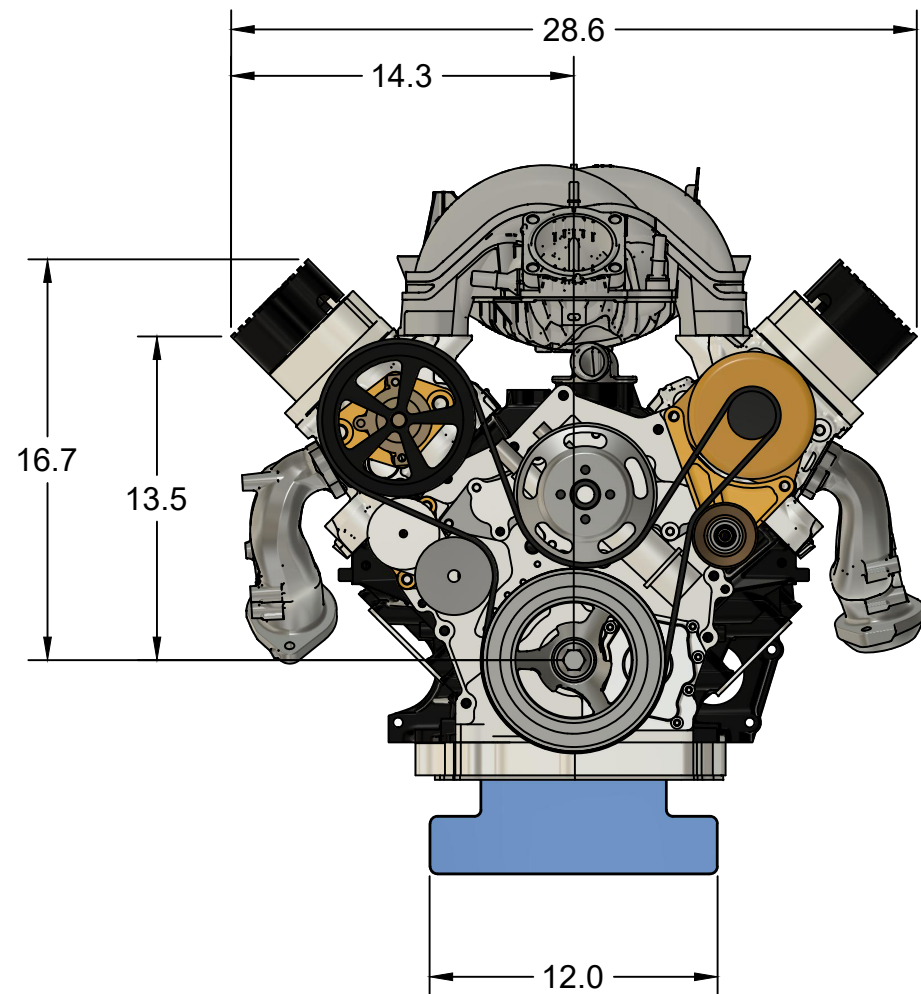
A

B


C

D

E



Front Sump Oil Pan 10-1144

 <p>EST. 2020</p>	<p>THIS DRAWING AND ANY INTELLECTUAL PROPERTY RIGHTS THEREIN ARE PROPERTY OF NJR ENTERPRISES AND NO LICENSES ARE GRANTED UNDER THOSE RIGHTS</p>			<p>PROJECT Seven Three</p>	
	<p>TITLE Front Sump Oil Pan 10-1144</p>				
<p>PART REFERENCE</p>					
<p>APPROVED</p>		<p>SIZE B</p>	<p>PART NO</p>	<p>REV LEVEL</p>	
<p>CHECKED</p>		<p>SCALE 1:8</p>		<p>WEIGHT</p>	<p>SHEET 1/1</p>
<p>DRAWN</p>	<p>Jim Ryder</p>	<p>3/3/2022</p>			