

1

2

3

4

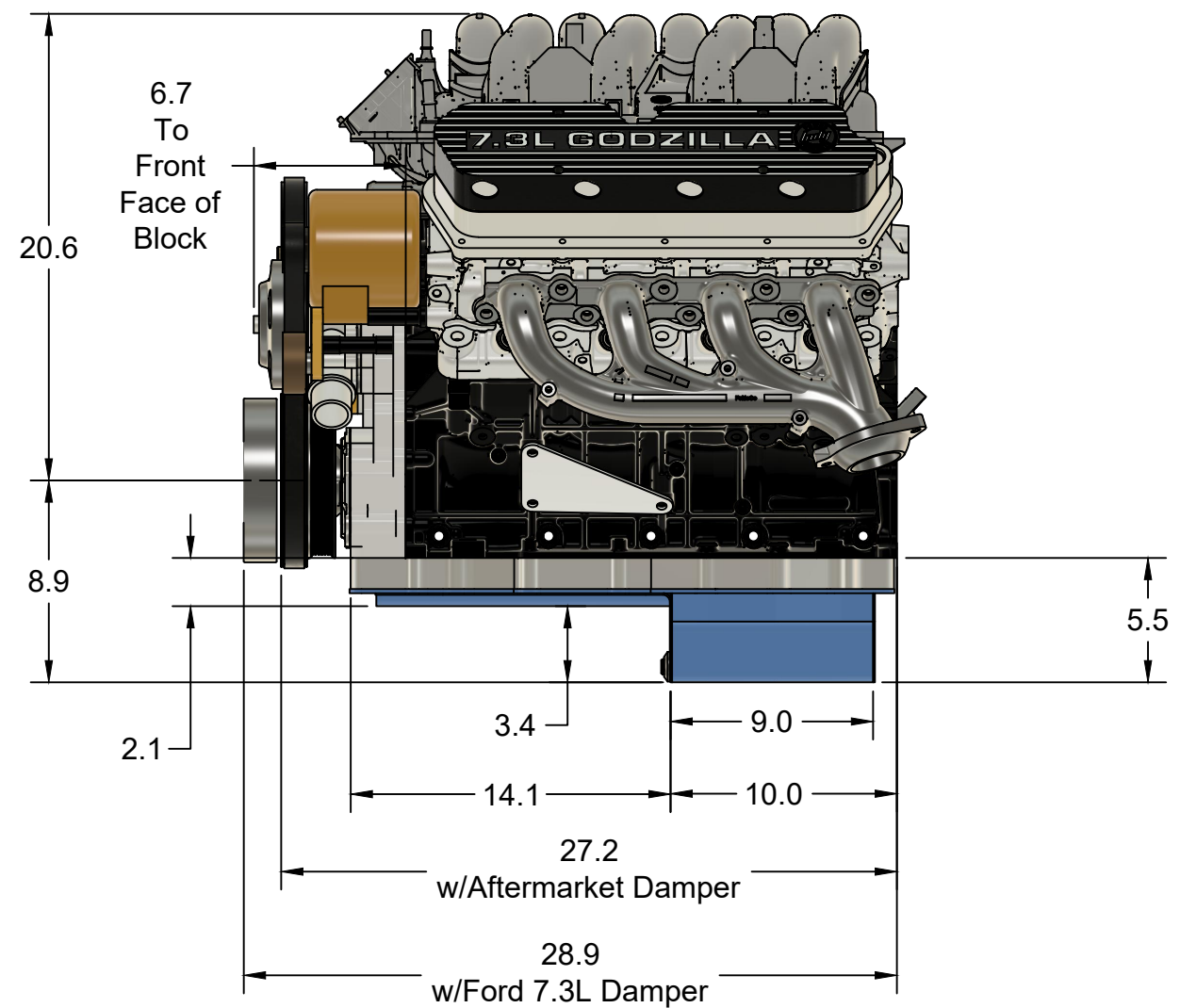
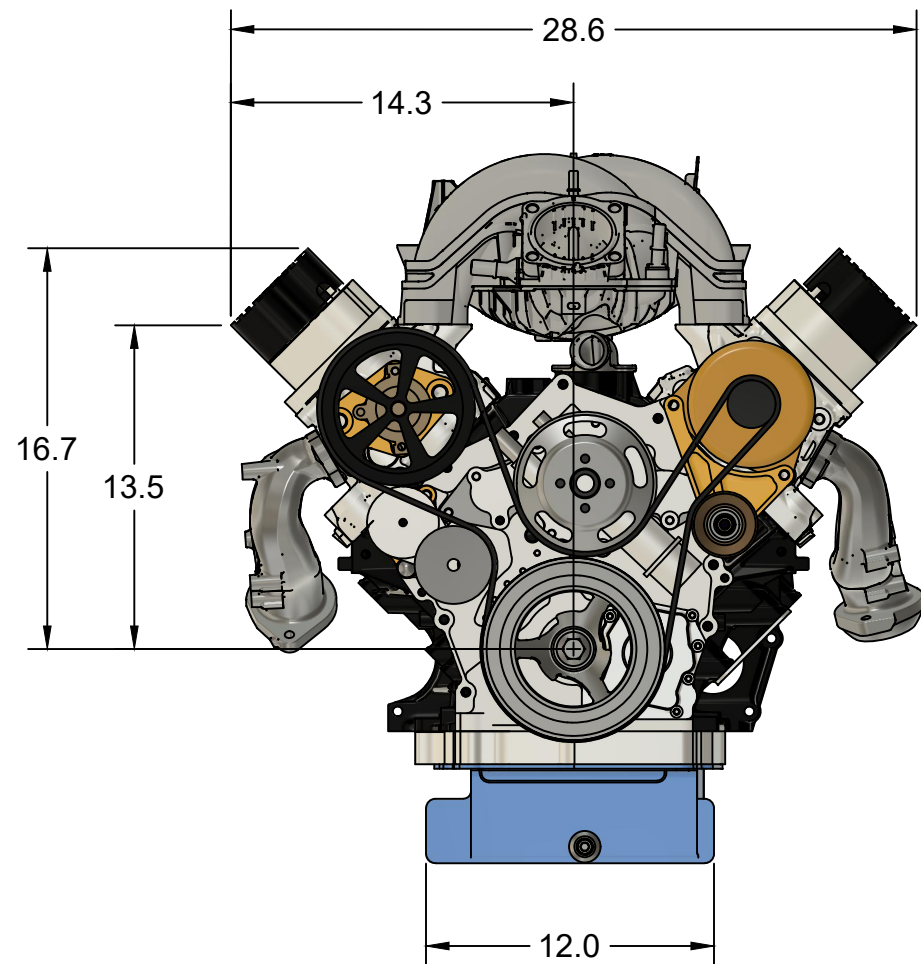
A

B

C

D

E



Rear Sump Oil Pan 10-1130



THIS DRAWING AND ANY INTELLECTUAL PROPERTY RIGHTS THEREIN ARE PROPERTY OF NJR ENTERPRISES AND NO LICENSES ARE GRANTED UNDER THOSE RIGHTS

PART OF NJR ENTERPRISES
INDIANAPOLIS, IN USA

PROJECT

Seven Three

TITLE

Rear Sump Oil Pan 10-1130

PART REFERENCE

Rear Sump Oil Pan

APPROVED

CHECKED

DRAWN

SIZE

B

PART NO

REV LEVEL

SCALE 1:8

WEIGHT

SHEET 1/1