

1

2

3

4

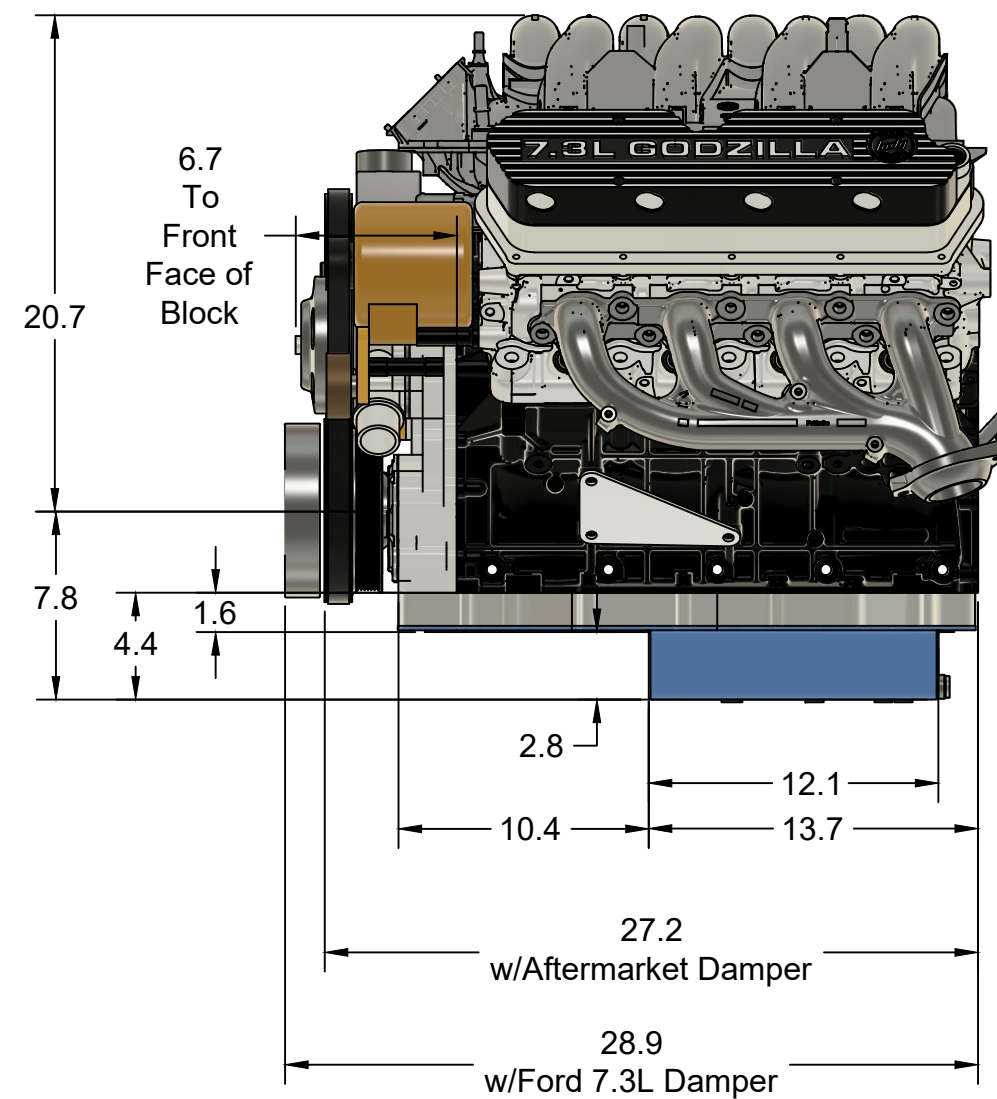
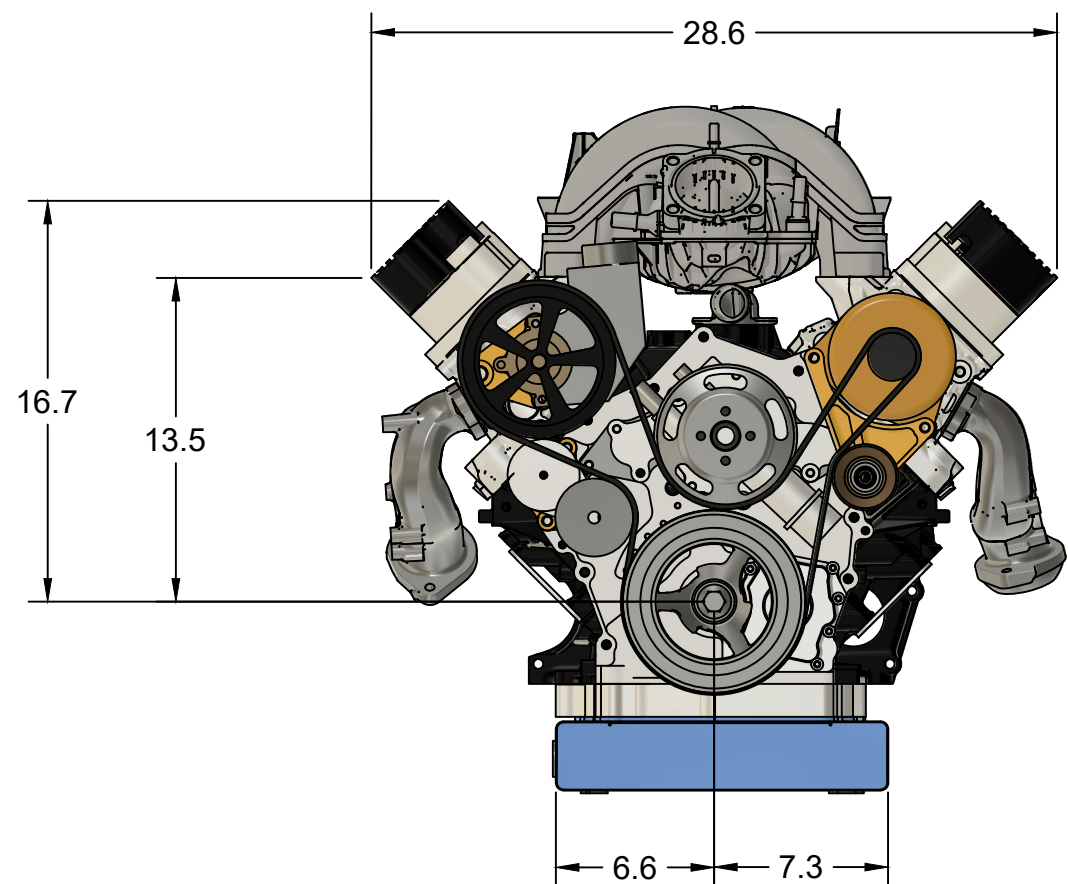
A

B

C


D

E



Cobra Style Oil Pan

10-1120

 <p>EST. 2020</p>	<p>THIS DRAWING AND ANY INTELLECTUAL PROPERTY RIGHTS THEREIN ARE PROPERTY OF NJR ENTERPRISES AND NO LICENSES ARE GRANTED UNDER THOSE RIGHTS</p>			<p>PROJECT Seven Three</p>	
	<p>PART OF NJR ENTERPRISES INDIANAPOLIS, IN USA</p>			<p>TITLE Cobra Oil Pan 10-1120</p>	
<p>APPROVED</p>			<p>PART REFERENCE</p>		
<p>CHECKED</p>			<p>SIZE B</p>	<p>PART NO</p>	<p>REV LEVEL</p>
<p>DRAWN Jim Ryder</p>	<p>4/13/2022</p>	<p>SCALE 1:8</p>	<p>WEIGHT</p>	<p>SHEET 1/1</p>	