

1

2

3

4

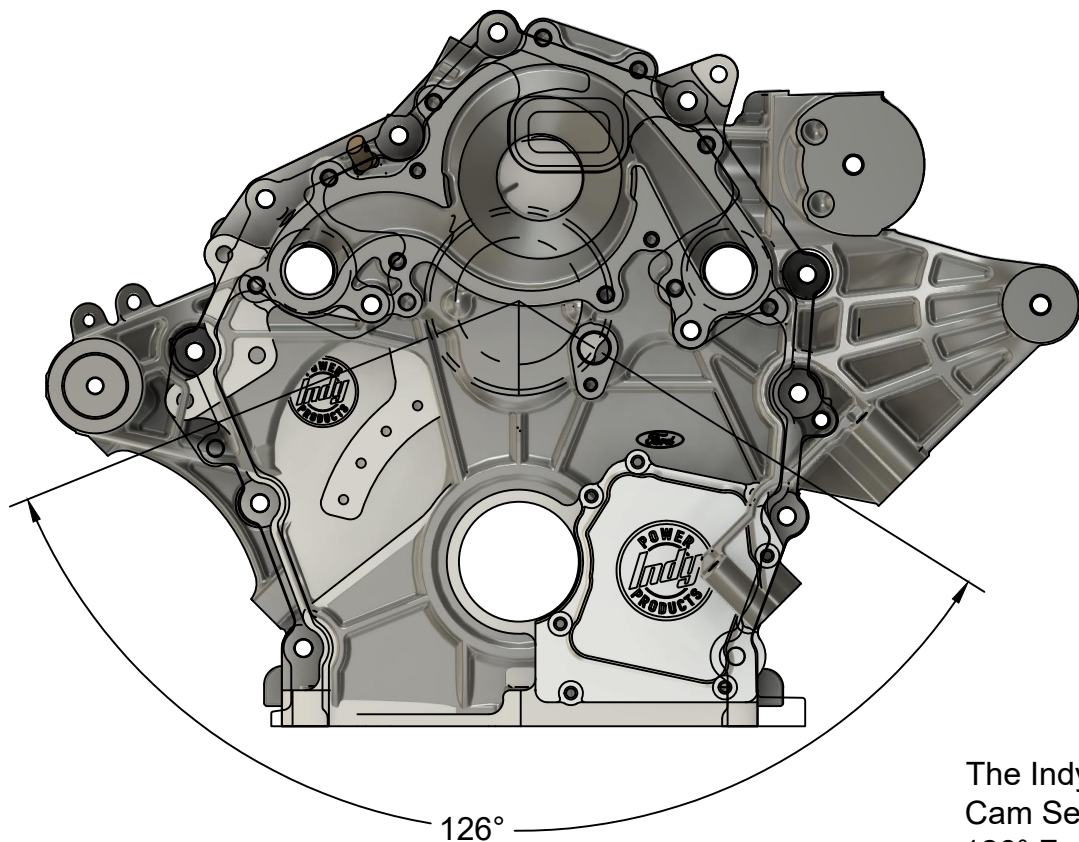
A

B

C

D

E

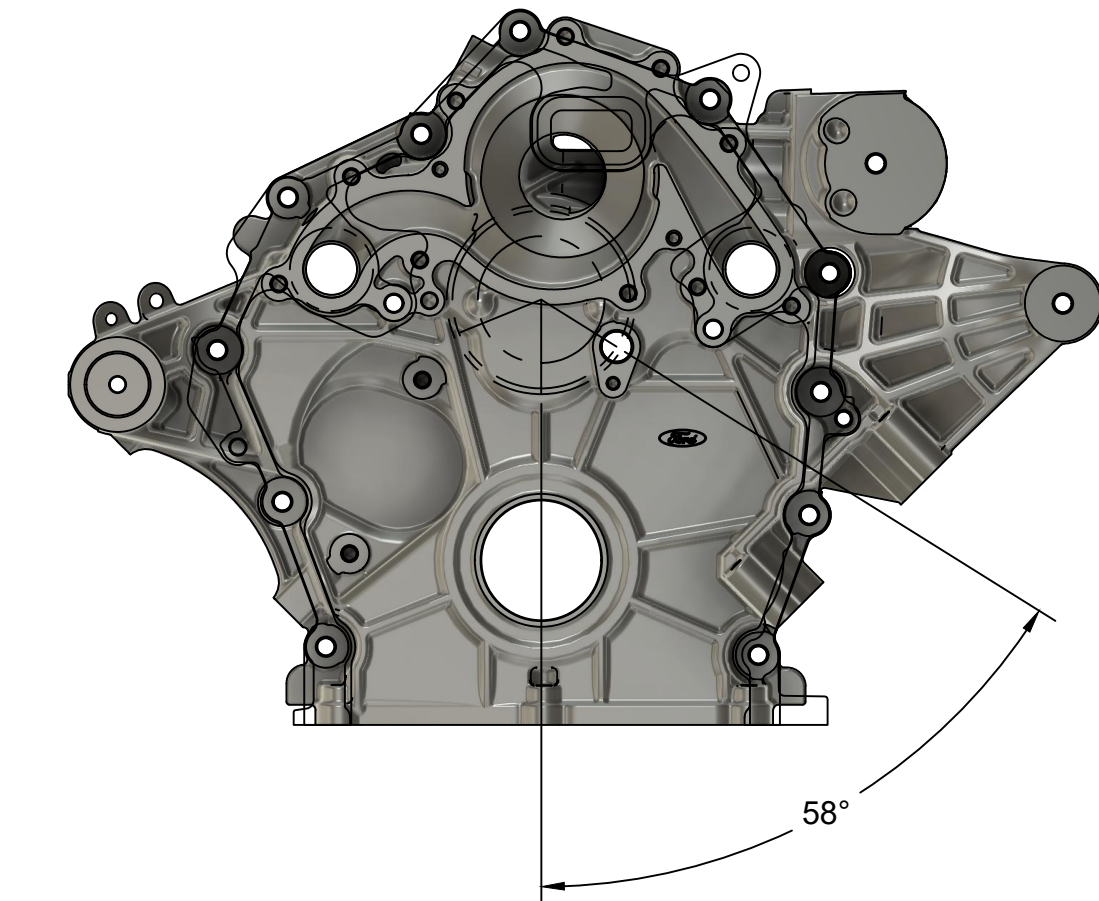


INDY POWER  
CAM SENSOR  
LOCATION

OE CAM  
SENSOR LOCATION

The Indy Power Products  
Cam Sensor Is Rotated  
126° From the OE/Stock  
7.3L Cam Sensor, in the direction  
of crank rotation

68°



1			RELEASE	28-JUN-21	JR
REV	SHEET	LOC	DESC	DATE	BY

**REVISIONS**



THIS DRAWING AND ANY  
INTELLECTUAL PROPERTY RIGHTS  
THEREIN ARE PROPERTY OF NJR  
ENTERPRISES AND NO LICENSES  
ARE GRANTED UNDER THOSE  
RIGHTS

PART OF NJR ENTERPRISES  
INDIANAPOLIS, IN USA

PROJECT

**Seven Three**

TITLE

**Cam Sensor Rotation vs OE**

PART REFERENCE

APPROVED	SIZE	PART NO	REV LEVEL
CHECKED	B		
DRAWN Jim Ryder	6/28/2021	SCALE 1:4	WEIGHT
			SHEET 1/1